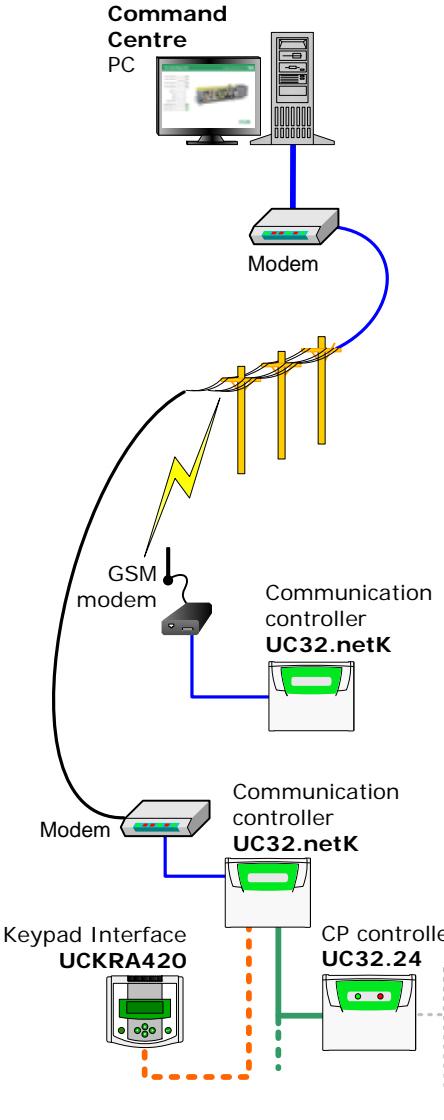
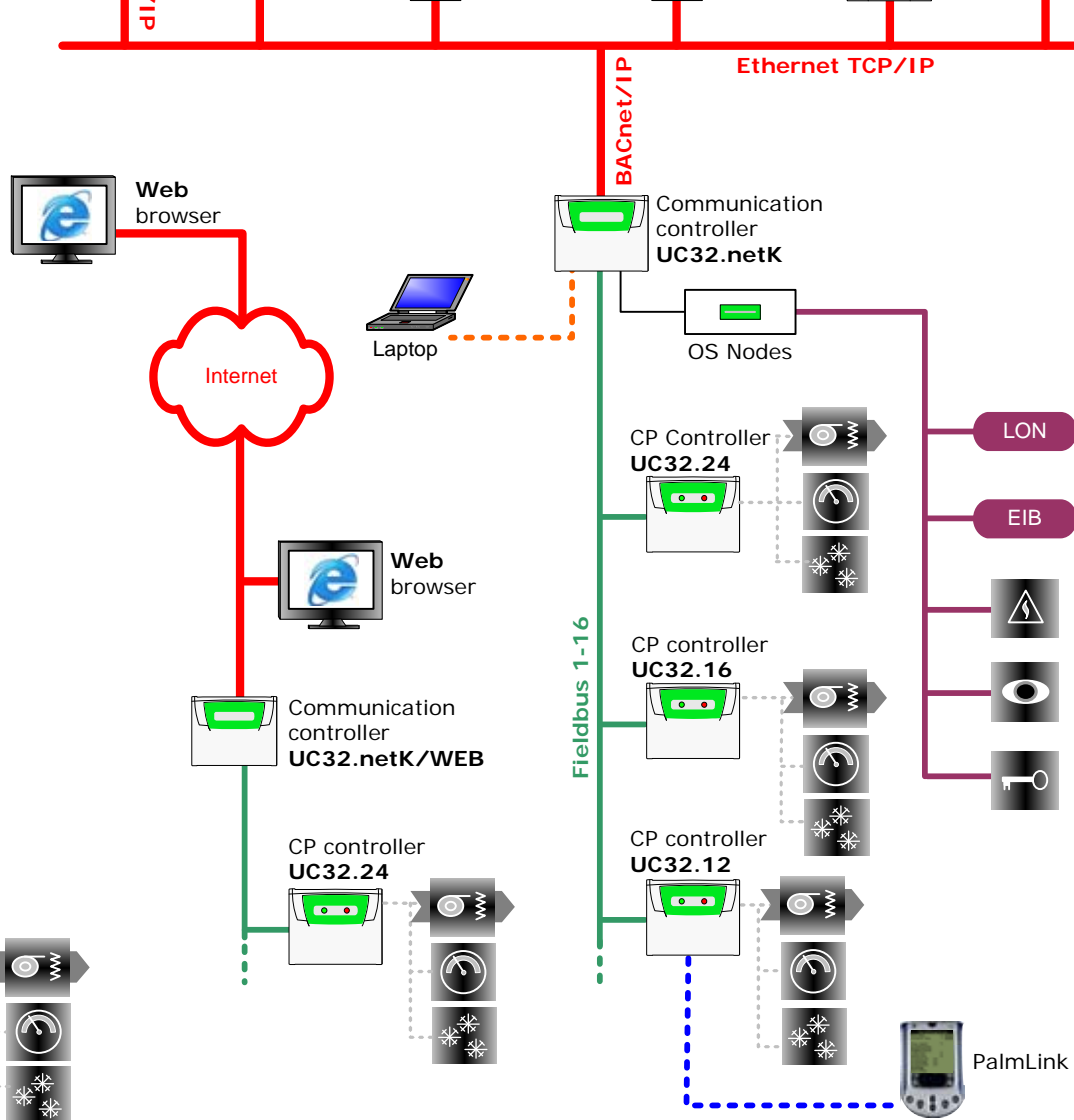
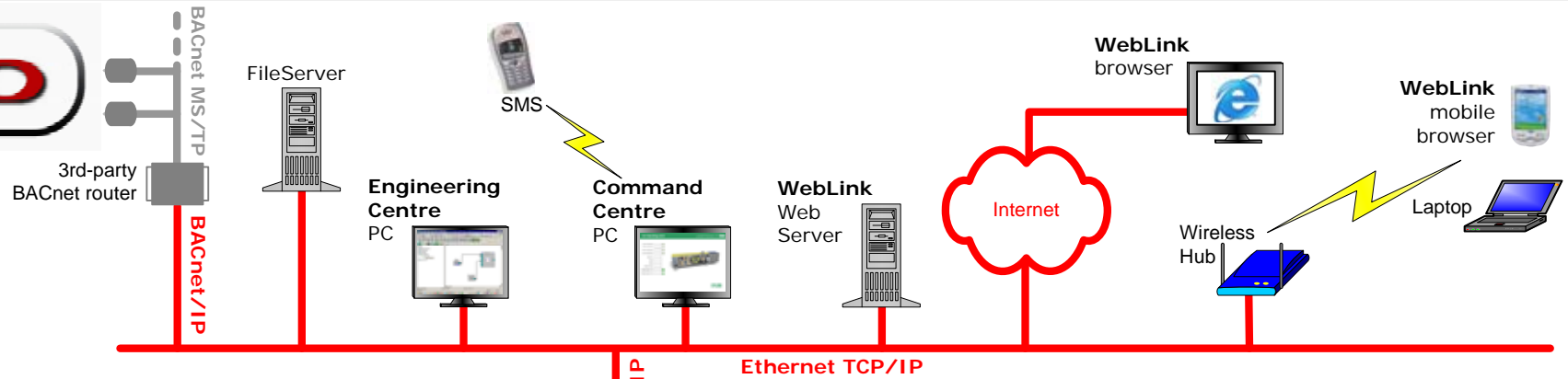




# System Architecture (Ethernet based)



**CP LEGEND**

- CP Power
- Temperature Humidity Sensor
- Reference Cell

**ADDITIONAL**

- Access
- CCTV
- Lights
- Fire Alarm

**UNITRON UC32.**  
Structure Management System